

PROJECT: \_\_\_\_\_

LOCATION: \_\_\_\_\_

ITEM#: \_\_\_\_\_

QUANTITY: \_\_\_\_\_


**C-49RS-HC**

# SLIDING GLASS DOOR REFRIGERATORS

- Beautiful ergonomic construction
- Digital temperature controller & read-out
- White powder coated steel exterior and interior
- Forced air refrigeration system
- Bottom mount compressor
- Recessed door handles
- LED interior lighting
- Bright lighted top display sign
- Low-E, Dual pane glass
- Heavy duty ABS extruded door frame
- Pre-installed casters and shelving
- Hold open door feature for loading products
- Door locks
- All Natural R290 Hydrocarbon Refrigerant
- US Department of Energy Certified
- Migali® Protection Plan: 2 Year Parts & Labor Warranty, 5 Years Compressor

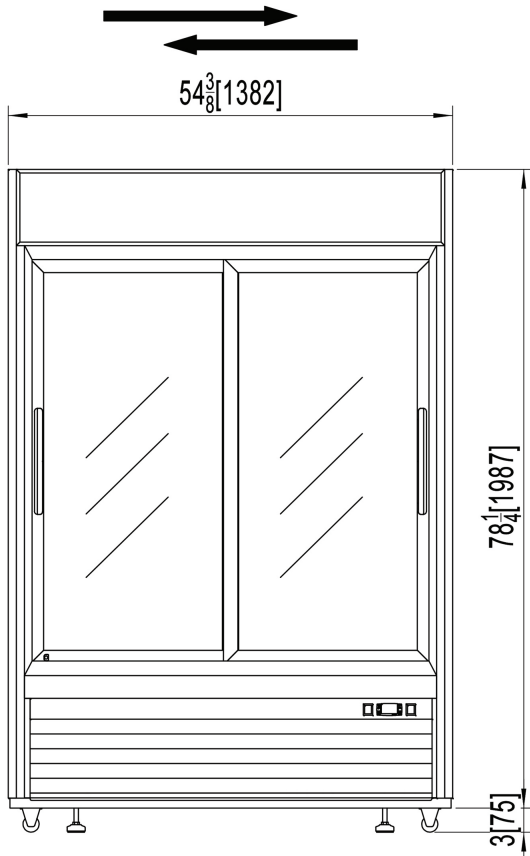
| MODEL     | DOORS | CAPACITY CU/FT | SHELVES | H/P  | AMPS | VOLTAGE  | ENERGY CONSUMPTION KWH/24 HR | PLUG TYPE  | TEMP RANGE        | EXTERIOR DIMENSIONS W X D X H* | INSIDE DIMENSIONS W X D X H** | PACKAGED DIMENSIONS W X D X H** | WEIGHT   | PACKAGED WEIGHT |
|-----------|-------|----------------|---------|------|------|----------|------------------------------|------------|-------------------|--------------------------------|-------------------------------|---------------------------------|----------|-----------------|
| C-49RS-HC | 2     | 49             | 8       | 1/4+ | 6.1  | 115/60/1 | 4.8                          | Nema 5-15P | +33° F (~) +41° F | 54.4" x 31.5" x 81"            | 50.4" x 25.1" x 60"           | 57" x 32" x 83"                 | 445 lbs. | 468 lbs.        |

\* Total height includes 3" casters

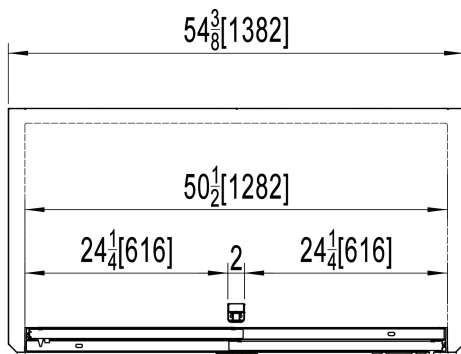
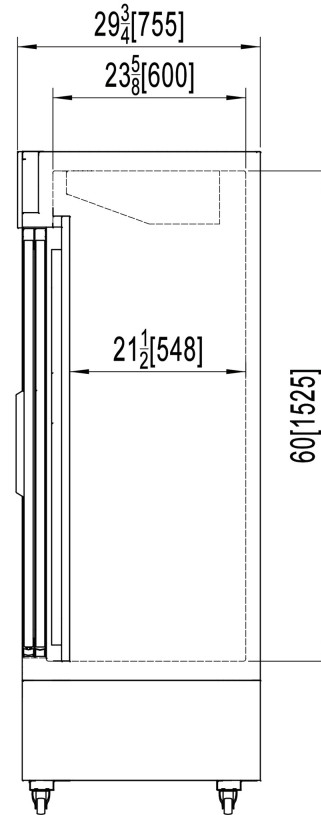
NOTE: MIGALI® RESERVES THE RIGHT TO CHANGE SPECIFICATIONS WITHOUT NOTICE

# DIMENSIONAL DRAWINGS

**C-49RS-HC**



**SIDE VIEW**



**C-49RS-HC TOP VIEW**



MIGALI® REMAINS AN AMERICAN FAMILY COMPANY SINCE 1955